



www.santos.fr

BRUSHLESS BLENDER # 62
Green Technology and high performance



Silence

Perfect blend

Brushless motor



NEW
VERSION

FOR JUICE BARS AND COFFEE SHOPS
World exclusive: BRUSHLESS MOTOR
SILENT, DURABLE, ECO-FRIENDLY

Internationally patented models

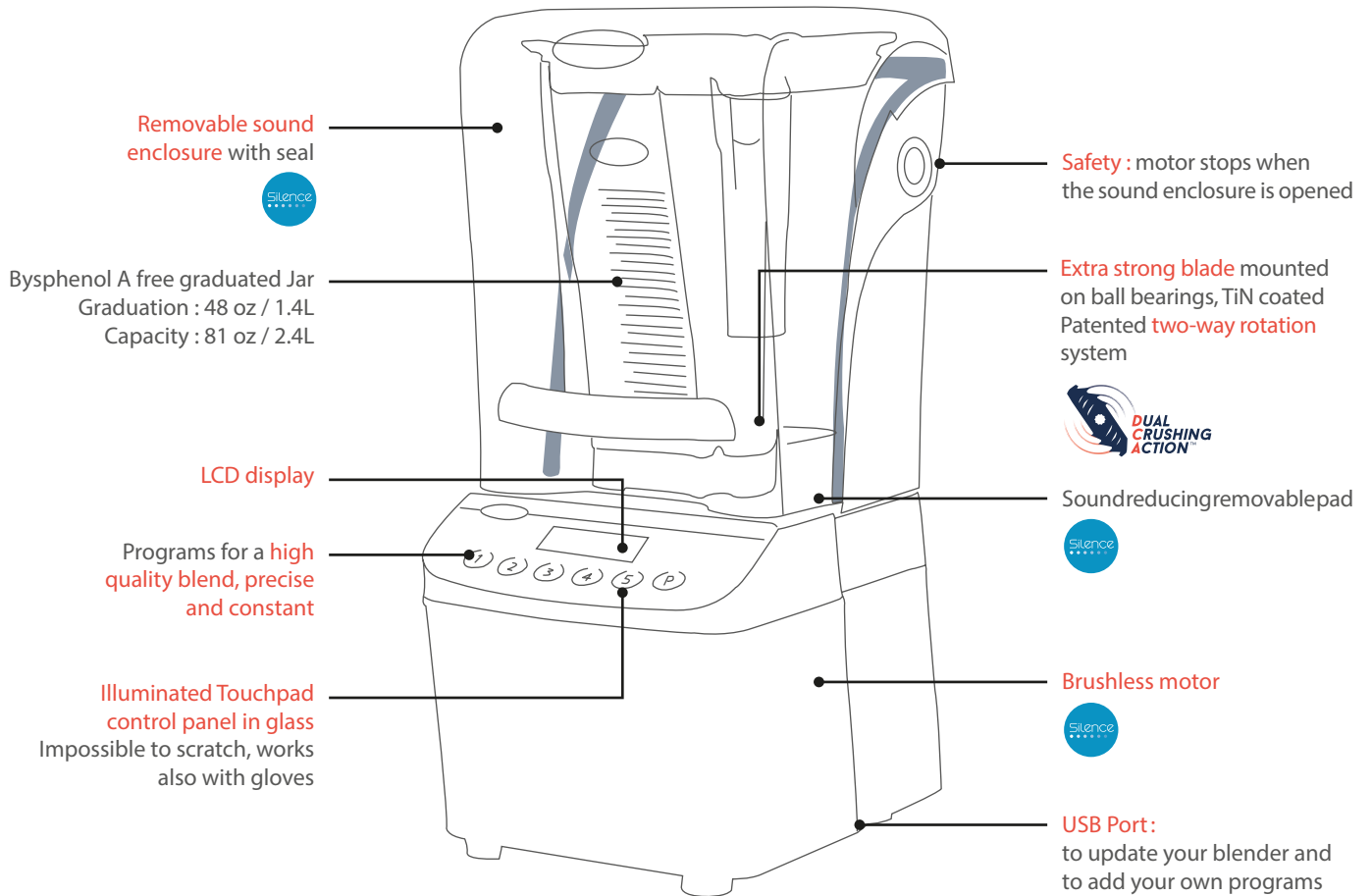




BLENDER FOR SMOOTHIES AND ICED DRINKS

You can make any kind of cocktails, smoothies, fruit juices, milkshakes, granitas, iced coffee frappe with the Blender # 62. Ideal appliance for juice bars, coffee shops, fast food, hotels...

The brushless Blender fits everywhere thanks to its sober design and can be used equally in its standard version or in-counter version to save space. Its new sound enclosure and its brushless motor make it very quiet.



WHAT DOES BRUSHLESS MEAN ?

Unlike universal motors, **brushless motor** has no brushes (permanent magnet rotor) which offers many advantages :

- Low maintenance
- Long lifetime
- Silence
- Excellent energy efficiency



IN-COUNTER BLENDER

The Brushless Blender # 62 can be used either in standard version or in-counter version (no additional option). Easy to fit into a counter: simple and quick dismantling of the base.



Video



NEW VERSION



PERFORMANCE, SILENCE, SIMPLICITY

www.santos.fr



PERFORMANCE

- Brushless motor: low consumption, high performance (8N.m).
- TiN coated blade : high resistance, adapted to intensive use.
- Dual Crushing Action : Patented two-way rotation of the blade to crush and blend any kind of ingredients in a few seconds (ex: hard ice cubes, frozen fruits...)
- Obtain the perfect drink thanks to the various pre-programmed recipes.



Create your own recipes on www.brushlessblender.com



SIMPLICITY

- Ease of use: Touchpad control pannel with LCD display.
- 6 programmable buttons 30 pre-programmed recipes + possibility to create its own recipes (free software + USB port)
- Easy cleaning : Removable sound enclosure, pad and jar.
- Stackable jars, graduated in milliliters and ounces, adapted to right-handers and left-handers.
- Easy to fit into a counter.
- Easy maintenance: each part of the jar can be dismantled (including the blade).



SILENCE

- Silent brushless motor.
- New removable sound enclosure reducing significantly the noise level.
- Sound reducing pad.

TECHNICAL SPECIFICATIONS



Motor

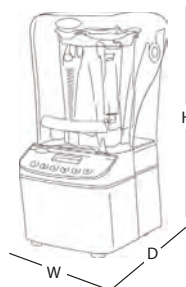
Single phase: 220-240 V - 50/60 Hz
CE, GS, KC, NSF
100 - 120 V - 50/60 Hz
CE, ETL, NSF

Max torque: 8N.m

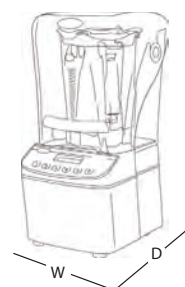


Weight

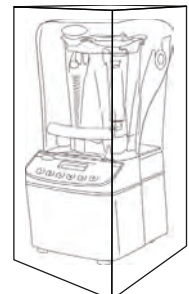
Net: 9,4Kg (21 lbs)
Shipping: 10,4 Kg (23 lbs)



STANDARD APPLIANCE
W: 200,3 mm / 8"
D: 247 mm / 10"
H: 440,6 mm / 17"



IN-COUNTER VERSION
W: 200,3 mm / 8"
D: 247 mm / 10"
H: 305,6 mm / 12"



SHIPPING BOX
W: 260 mm / 10.2"
D: 290 mm / 11.4"
H: 500 mm / 18.9"

SAFETY, STANDARDS, HYGIENE

In accordance with the following regulations
Machinery directive 2006/42/EC
Electromagnetic compatibility 2004/108/EC
«low voltage» directive 2006/95/EC
RoHS directive 2002/95/EC
Regulation 1935/2004/EC (contact with food)

Harmonized European standards:
EN ISO12100-1 and 2: 2004 - EN 60204-1: 2006
EN 12852 + A1: 2010 Food processors and blenders - Safety and hygiene requirements
EN 60335-2-64: Commercial electric kitchen machines
CE (European standards), NSF (USA), ETL (UsA and Canada), KC (Korea), GS (Germany) checked by the LNE (National Test Laboratory)

Electrical safety
Waterproof On/Off interlock switch
Appliances are 100% tested after assembly.

Thermal safety
Motor protected by internal thermal detector.

Acoustic safety
Very silent and powerful brushless motor.

Hygiene
All removable parts can be put in a dishwasher or easily cleaned with hot soapy water. Bysphenol-free.

PRODUCT : 2-YEAR WARRANTY

SANTOS Brushless Blender #62

From date: 03/2017
from serial number: 1007377

